

5605 - Cable Column

ITEM	QTY	PART NO.	DESCRIPTION
1	1	01667	Hand Rail
2	1	5315-201	Cross Tube
3	4	JC780417	BHSCS .50-13 x 1.00
4	11	JS388300	Split Lockwasher .50
5	2	PP090210	Plastic Insert 2.00 Sq x 10-14G
6	2	PP090205	Plastic Insert 1.00 x 2.00 x 11 G
7	14	4700C089	Stack Weight 3 x 12
8	2	01141	Spacer
9	1	01142	Pulley Mount Cap
10	1	01143	Pulley Mount
11	1	01144	Upper Pulley Bracket
12	1	01455	Lower Pulley Bracket
13	1	5315-205	Short Top Tube
14	1	5315-203	Adjusting Tube
15	1	5315-202	Ballet Bar Bracket
16	1	01150	Pulley Bracket
17	1	01155	Pivot Tube
18	2	01755	Guide Rod Collet
19	2	01694	Corner Bracket
20	1	5315-307	Ballet Bar
21	2	5310M035	Weight Stack Guide Rod
22	1	5315P011	Adjusting Tube
23	2	PR060005	Weight Bumper
24	2	FB030220	Machinery Bushing
25	4	FB050219	Flange Bearing .62 ID x .75 OD x .50 L
26	2	FB050222	Flange Bearing .75 OD x .88 ID x .75 L
27	6	GP000000	Pulley Assembly 4.50
28	14	GP000004	Pulley Spacer
29	7	GP000203	Pulley Center
30	1	GP000204	Pulley Assembly 3.00
31	2	HC700417	BHSCS .375-16 x 1.00
32	2	HC782817	SHCS .50-13 x 1.00
33	2	HN704000	Hex Nut .375-16
34	2	HN705618	Eye Socket Nut
35	8	HN784000	Hex Nut .50-13
36	2	HS348300	Split Lockwasher .375
37	4	HT582210	Tap Screw #10-32 x .375
38	10	JC700914	FHSCS .375-16 x .62
39	4	HC700414	BHSCS .375-16 x .625
40	6	JC782830	SHCS .50-13 x 2.50
41	2	JC782834	SHCS .50-13 x 3.00
42	4	JS407100	Machinery Bushing .625
43	4	PN660201	Hole Plug
44	2	PP080202	Plastic Insert
45	2	PP080204	Plastic Cap .625 ID x .68 OD
46	1	PU060200	Bumper
47	2	PU060201	Bumper
48	1	01892	Bracket
49	2	HC620430	BHSCS .25-20 x 2.50
50	2	HN624100	Hex Nut .25-20
51	4	PR069400	Recess Bumper
52	1	01692	Threaded Insert
53	1	JC700422	SHCS .375-16 x 1.50
54	2	PP090210	Plastic Insert 2.00 SQ
55	2	HN784900	Nylon Locknut .500-13
56	1	01475	Top Weight Assembly
57	2	4700-019	Flange Bearing
58	2	BR030206	Retaining Ring
59	2	HP286819	Spiral Pin
60	1	02106	Half Weight Peg
61	1	JC620415	BHSCS .25-20 x .75
62	1	HS308300	Split Lockwasher .25
63	1	01702	Handle Subassembly
64	2	1670M115	Foam Grip
65	1	02224	Screen (not shown)
66	1	01159	Placard Decal
67	1	4000Y316	Caution Decal

ITEM	QTY	PART NO.	DESCRIPTION
68	1	5208M046	Foam Grip
69	1	5315S028	Cable Subassembly
70	1	4301C096	Half Weight
71	1	02521	Warning Decal
72	1	4800-381	General Warning Decal
73	1	5310P044	Weight Stack Selector Pin
74	1	4800-515	Weight Plate Decal
75	2	HS760106	Flat Washer 1.75 OD .69 .14T
76	1	GQ000206	Snap Link
77	1	5310S040	Handle (not shown)
78	1	51121	Thigh Strap (not shown)
79	1	02203	Straight Handle (not shown)
80	1	51122	Ankle Strap (not shown)
81	1	51073	Hip Harness (not shown)

Assembly Notes

- Keep all shipping packages near area of installation. Standard items include:

- Cable Column Assembly - 5605-9x
- Handrail - 5315-50
- Top Weight Package - 01475
- Weight Pack 1 (3 x 12, black) - 4700S110

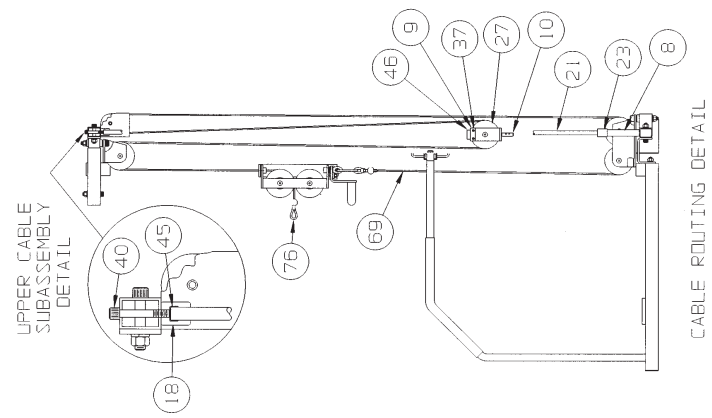
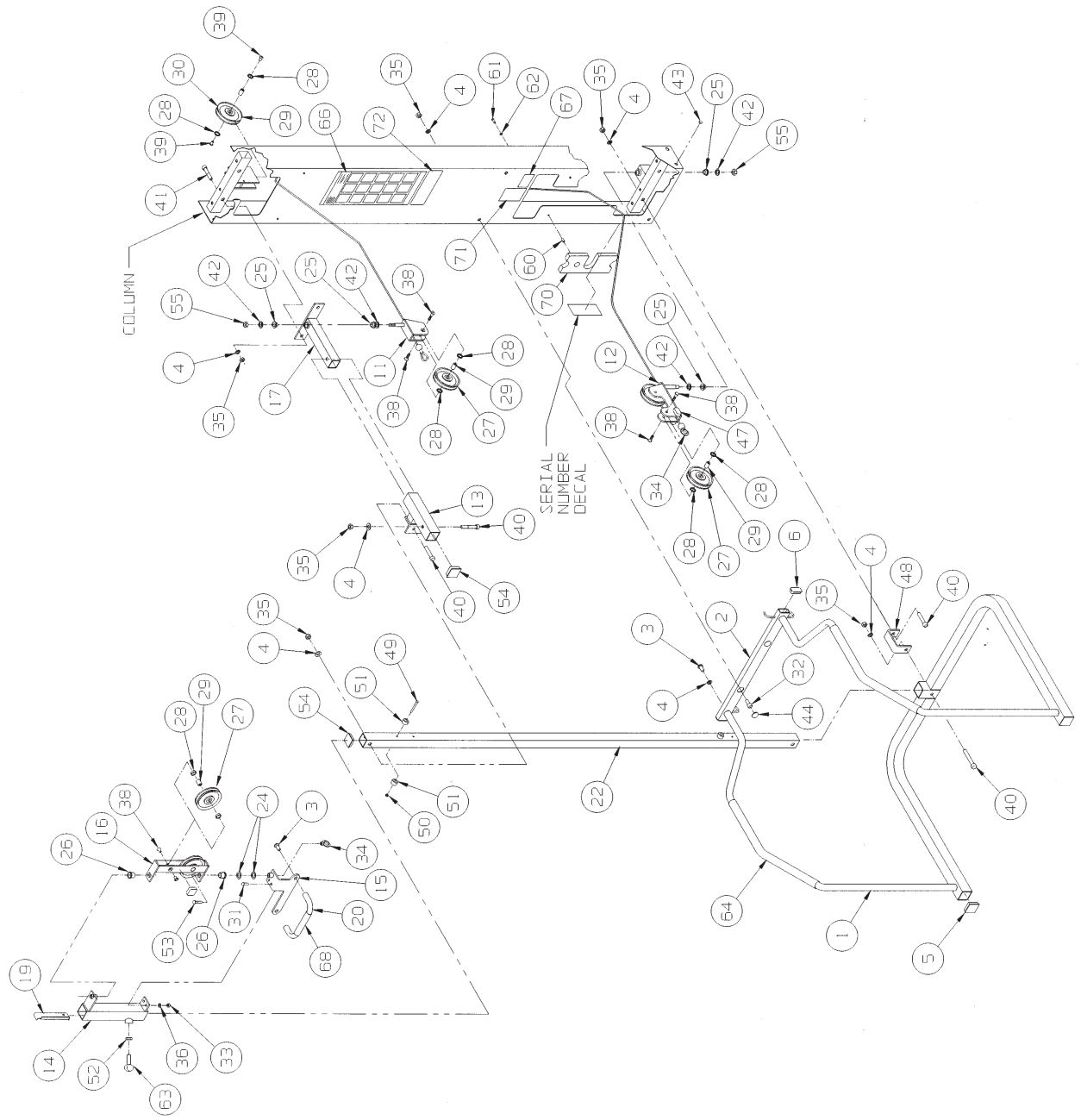
NOTE: x denotes specific color.

- Follow assembly guidelines listed on the 5600 Modular Center Post Assembly & Parts instruction sheet. Also refer to the steps listed below.

NOTE: Refer to the exploded-view assembly diagram when performing steps listed below.

- Lay column on side.
- Install lower pulley bracket (item 12). Install upper pivot tube (item 17) and upper pulley mount (item 11).
- Install short top tube (13).
- Set chrome tube into hand rail assembly. Fasten upper portion finger tight.
- Attach lower portion of hand rail to column.
- Route cable. **NOTE:** Be sure to insert cable through brass bushing. See Cable Routing Detail.
- Install weight stack.
- Mount column to Modular configuration.

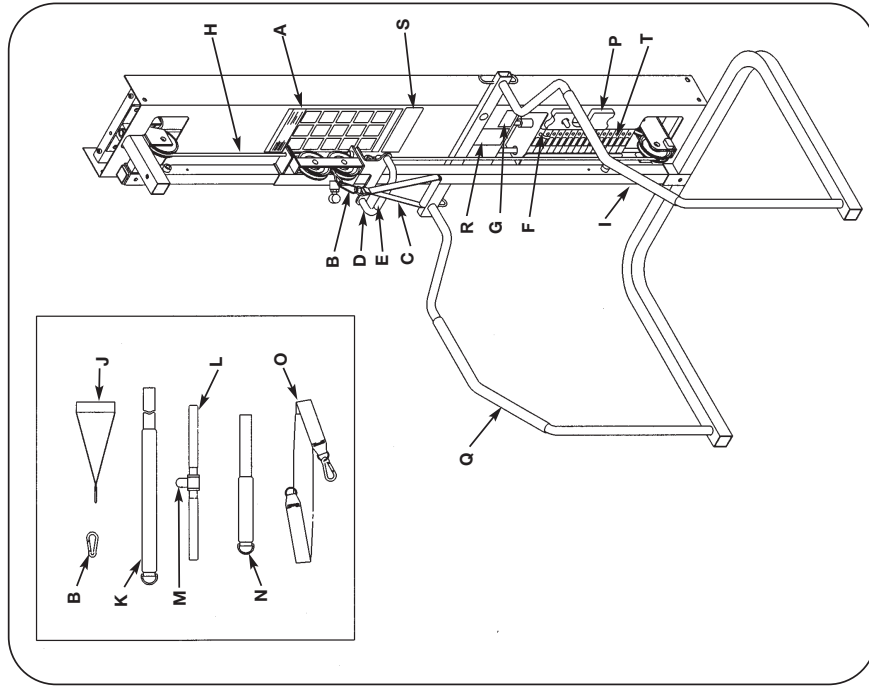
NOTE: This machine shipped with an Owner's Manual. Additional copies can be obtained by contacting your dealer or a Cybex Representative at 1-888-462-9239.



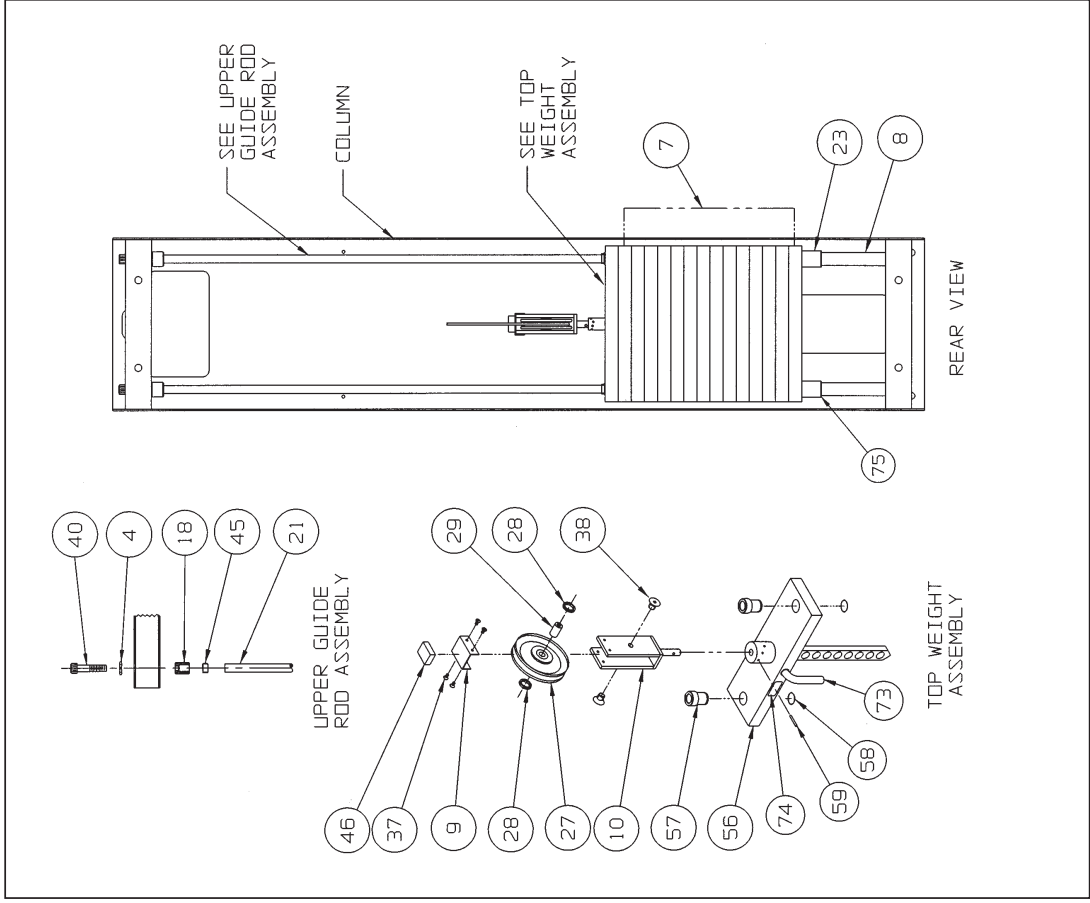
CABLE COLUMN

ASSEMBLY & PARTS

5605



DESCRIPTION	PART NO.	PART NO.	DESCRIPTION	PART NO.
A. Placard Decal	01159	51121	K. Thigh Strap	4055M028
B. Snap Link	GQ000206	02203	L. Foam Grip	02203
C. Handle Subassembly	01702	51122	M. Straight Handle	51122
D. Ballet Bar	5315-307	4301C096	N. Ankle Strap	51073
E. Foam Grip	5208M046	1670M115	O. Hip Harness	4301C096
F. Weight Selector Pin	5310P044	02521	P. Half Weight	1670M115
G. Caution Decal	4000Y316	4800-381	Q. Foam Grip	02521
H. Cable Subassembly	5315S028	4800-515	R. Warning Decal	4800-381
I. Serial Number Decal			S. Weight Plate Decal	4800-515
J. Handle Subassembly	5310S040		T. Weight Plate Decal	4800-515



10 Trotter Drive Medway, MA 02053 • 508-533-4300 • FAX 508-533-5183 • www.cybexinternational.com • Techhelp@cybexintl.com
 Copyright © 2002 CYBEX International, Inc. All rights reserved • 55605 Rev A • August 2007